

London Electronics Limited

Thorncote Road, Near Sandy, Bedfordshire SG19 1PU
Tel +44(0)1767 626444 Fax +44(0)1767 626446
www.london-electronics.com help@london-electronics.com

Serial Output options for INT4 and Fusion series

-232 RS232 ASCII Data output

-485 RS485 ASCII Data output



Software version F4.02

Warranty

We warrant this product against defects in materials or workmanship for a period of three (3) years from the date of purchase.

In the event of a defect during the warranty period, the unit should be returned, freight (and all duties and taxes) prepaid by the Buyer to the authorised distributor from where the unit was purchased.

The Distributor, at its option, will repair or replace the defective unit. The unit will be returned to the Buyer with freight charges prepaid by the distributor.

LIMITATION OF WARRANTY

The foregoing warranty shall not apply to defects resulting from:

1. Improper or inadequate maintenance by the buyer.
2. Unauthorised modification or misuse.
3. Operation outside the environmental specification of the product.
4. Mishandling or abuse.

The warranty set forth above is exclusive and no other warranty, whether written or oral is expressed or implied. We specifically disclaim the implied warranties of merchantability and fitness for a particular purpose.

EXCLUSIVE REMEDIES

The remedies provided herein are the buyer's sole and exclusive remedies.

In no event shall we be liable for direct, indirect, incidental or consequential damages (including loss of profits) whether based on contract, tort or any other legal theory.

Contents

Warranty	2
General Description	4
Installation Hints	5
Serial Output board configuring - ASCII	6
Serial Output board configuring - RTU	7
Connecting to Tiger weight controller	8
Setting up your serial port	9
Specifications	10
Modbus ASCII	11
Signal Levels	12
Fault finding	13
-RTC Real Time Clock option	14
-RTC Real Time Clock setup method	15
Notes	16
RealTerm examples	17, 18
Record of revisions	20
Notes	20,21
Connections and installing into a display	See main display manual*

* Need a manual urgently?
You can download manuals from our website

General Description

This manual only covers the setup of the serial output option. Please refer to the main display's operating manual for full specifications, installation methods, safety notices etc. You can download manuals from our website.

The serial output option allows you to create an isolated RS232 or RS485 signal which provides data proportional to the net or gross value shown on the front of your display.

This can be used to feed remote devices such as data loggers, displays, PLCs and other peripheral equipment.

There are 2 different option boards available:-

1. An RS232 board, for short distance point to point transfer of data
2. An RS485 board, which is suited for longer distance transmission and which may be part of a group of addressed instruments.

Both boards can be set to transmit continuously or can be requested to transmit by a data request.

Maximum recommended cable distances if using LOW capacitance screened cable such as CAT5 cable.		
Baud Rate	RS232	RS485 or RS422
1200	50m	1200m
9600	20m	150m
19200	10m	75m
38400	5m	30m
115200	2m	10m

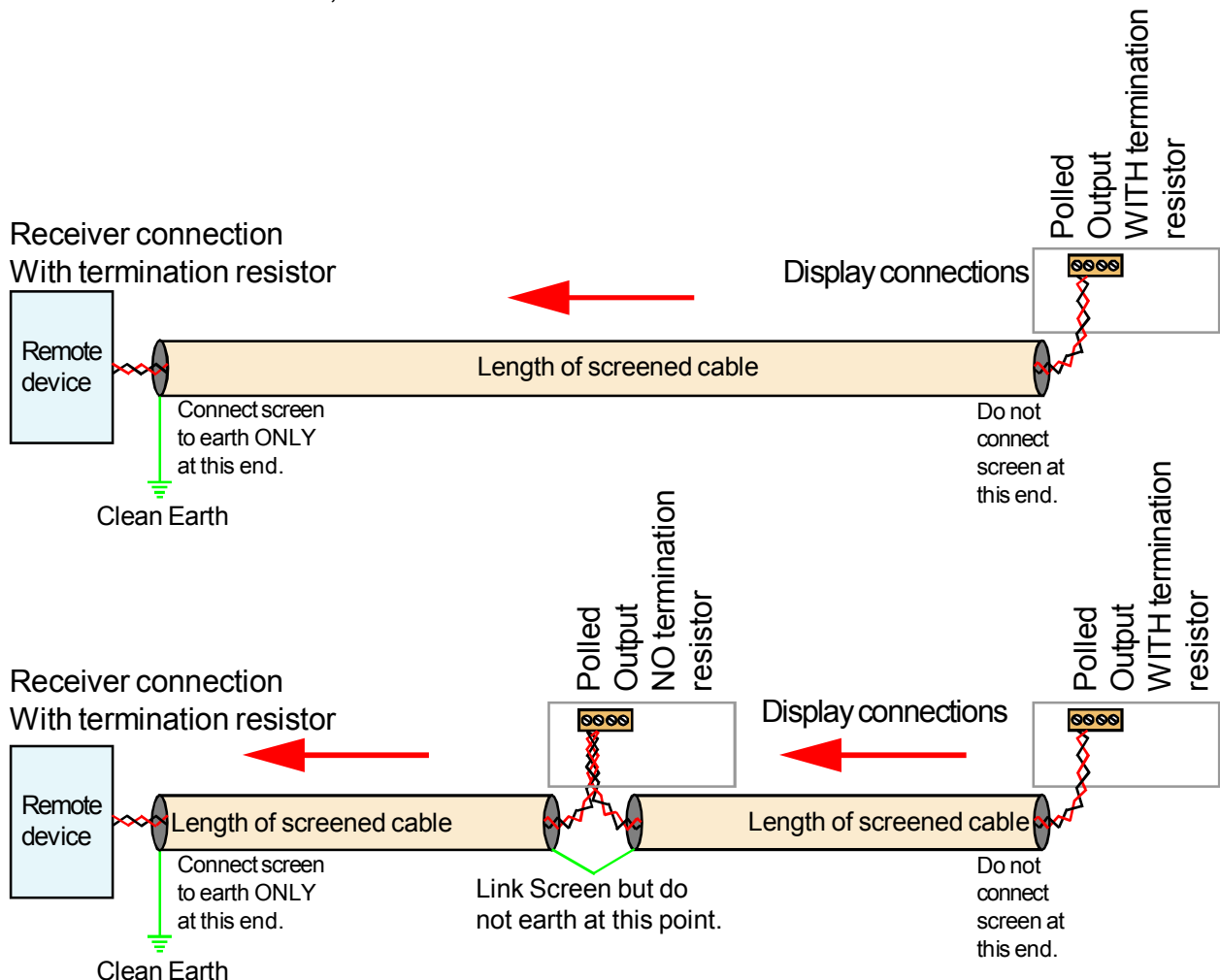
The serial output is derived from the displayed value, so if you adjust filtering for the display, the serial output will also be filtered and will respond to any input changes at the same speed as the display.

The serial output is updated 10 times per second when in continuous mode.

Installation hints for best performance

This section offers several suggestions which will help you get the best performance from your serial output.

1. Use good quality low capacitance twisted-pair screened signal cable. CAT5 screened twisted-pair is ideal.
2. The cable should be routed away from noisy wiring and devices such as power feeds from inverters, discharge-lighting cables, welder cabling etc, and should preferably be routed in a dedicated low voltage signalling/instrumentation conduit or cable tray.
3. Screened cable should be earthed at the destination end only.
4. All wires and screens coming out of the screened cable should be kept as short as possible to minimise pickup of noise.
5. If you are going to daisy chain several RS485 devices together on the same data line, you should earth your screen as shown below, paying particular care that you do not earth both ends of any run of of cable.
6. Remember to fit a termination resistor to the instruments at each extreme end of the cable run, but no termination resistor on intermediate units.

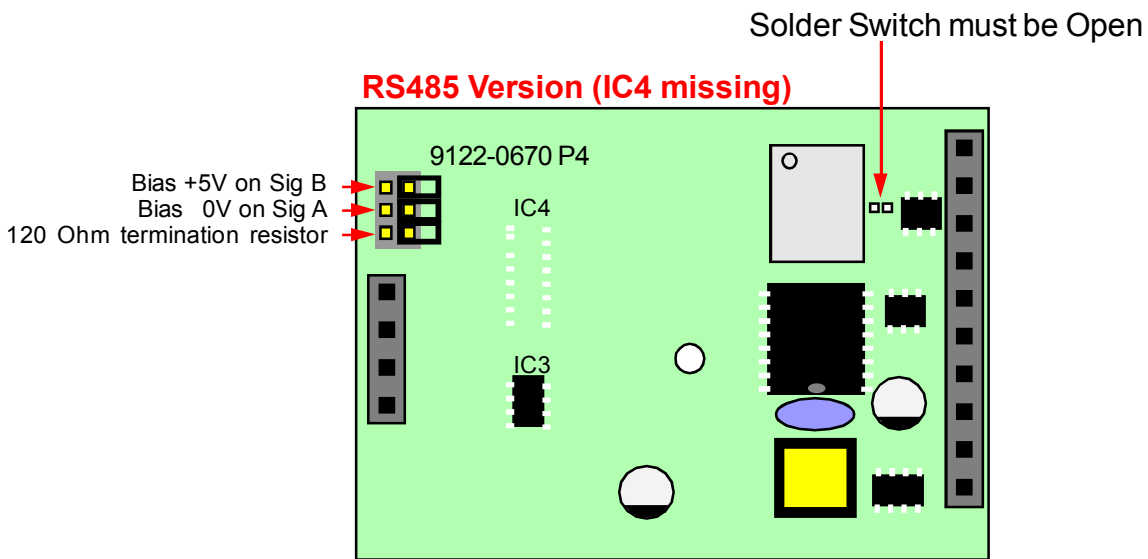


Serial output board configuring - ASCII output

The only board you may need to make adjustments to is the RS485 output option board. You can identify it as an RS485 board, because IC4 will be missing.

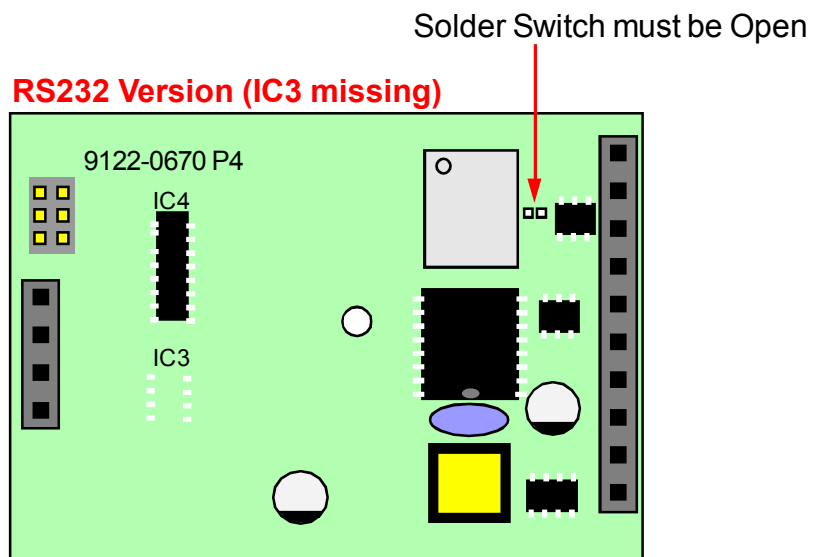
If the display is at the end of the data cable, you will need to fit the 120 Ohm termination jumper.

If you have several addressed displays sharing a data line, and find that you occasionally see errors in communication, it may be necessary to fit the line bias jumpers as shown below. This should only be done on the furthest display from the data receiver, so all three jumpers should be fitted. The input/output solder switch must be open - this configures the board as an output driver.



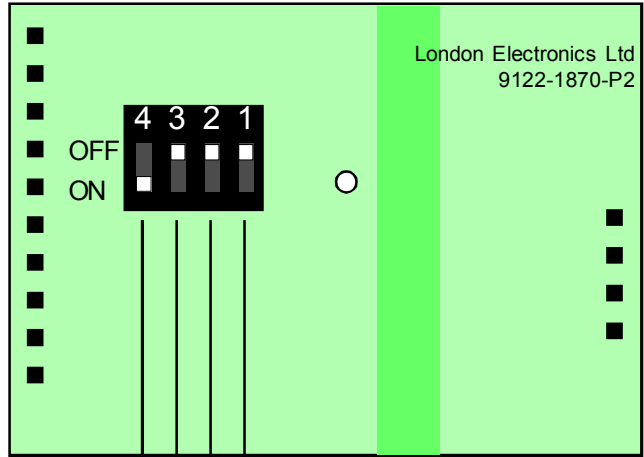
The RS232 board looks similar to the RS485 board, but requires no jumpers to be fitted at any time. The input/output solder switch must be open - this configures the board as an output driver.

You can identify it as an RS232 board, because IC3 will be missing.



Serial output board configuring - modbus RTU

RS485 Modbus RTU Version



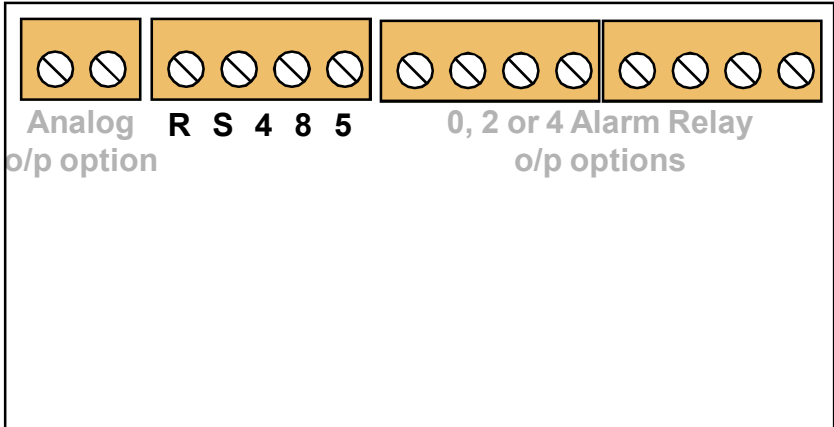
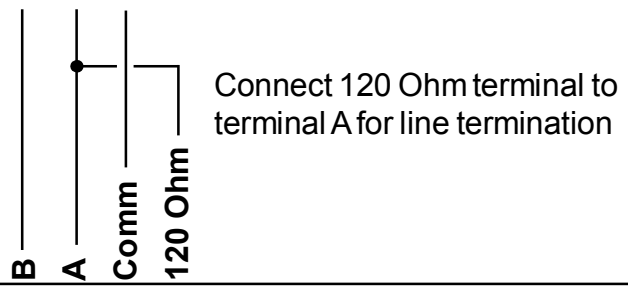
	Mode	Spare	Format	Baud
Off	Normal	Set off	8E1	19200
On	Tiger *	Set off	8N1	9600

* For Tiger mode (when used with TeleRadio Tiger system) register 0x002C must be set to 0x0001 using the London Electronics Ltd QuickSet utility or RealTerm. Tiger example on next page.

With this module, you must set the internal comms parameters on Page 8 as follows:-

* These are not the Modbus RTU comms parameters, which are set only by the 4 switches shown above. Modbus Address is set below.

* Baud	115200
* Protocol	P2
Address	01 to F7
* t.reP	0
* t.Chr	0

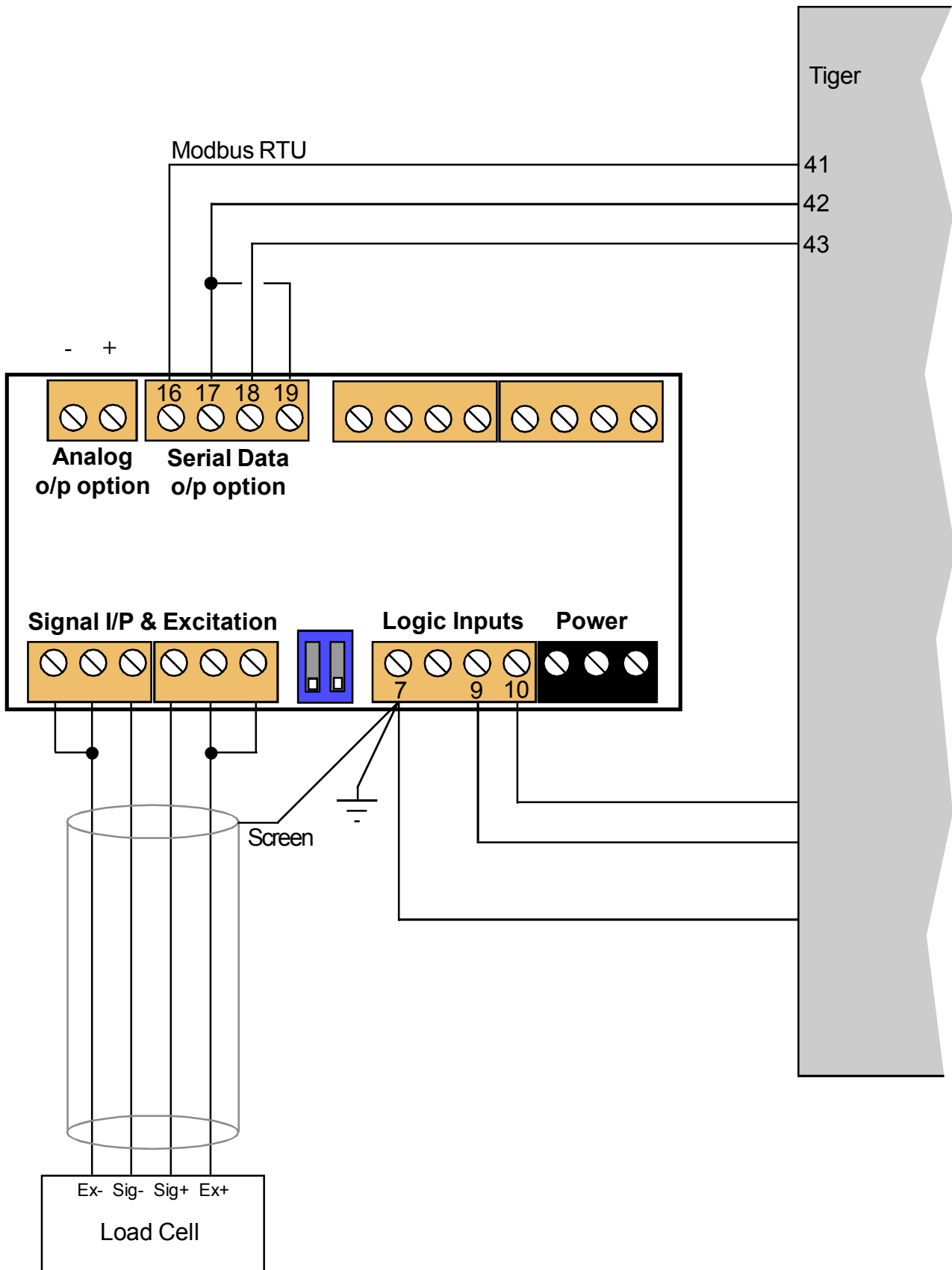


Register 0 is used for any numeric display value less than 16 bits. So for 0 to 65500 reading you can use only register 0.

For readings 0-999999, you use register 0 for low word and Register 1 for high word of binary equivalent of unsigned reading.

The decimal point position is located in register 1E and is an integer 0 to 5
 0 = no decimals 0-999999
 1 = 1 decimal place 0.0 to 9999.9
 2 = 2 decimal paces 0.00 to 9999.99 etc.

Tiger module connection example



Setting up your Serial output port

You can choose from :-

Baud rates in the range 300 to 115200

Data formats of 8n1,7n1,7e1 or 7o1

Protocol C1 for continuous output (Link "Enable" to "Common" on output connector)

Protocol P1 for polled output

Protocol P2 for Modbus ASCII mode

1

Press briefly together

Lockout Switch must be OFF

Circuit board ON

2

Display shows each of the parameters and you can edit or move on to the next one with the OK button.

You can edit the settings with the DIGIT, UP and DOWN buttons. OK to accept.

The default parameters are:-

bAud 9600	Choose a baud rate to suit the receiver.
dF. 8n1	Data format 8 data bits, no parity, 1 stop
Prot.C1	Protocol. C1 = continuous, P1/P2 = polled
Addr.00	The display's address, from 00 to FF. Choose 00 if you do not need addressing.
t.rEP.05	Time to reply following a request, in mS
t.chr.00	Time in mS between each character.
Net or Gr055	Whether data is from Nett or Gross value

3

Press to accept

Done!

Specifications

Output signal	RS232 or RS485 depending on installed board.
Isolation	250 VAC Optically isolated from input, logic, excitation, power, alarms and serial communications ports
Response speed	Derived from displayed value, which is updated 10 times per second. Any filtering applied to the display will be applied to the serial data output also.
Linearisation	The analogue output is derived from the displayed value, so if your display has a non linear response, and you are using the display's lineariser function, the output will follow the display directly.
Calendar/Clock option	Accuracy better than +/- 10 seconds per month (DS3231SN) Battery backup during power loss. Battery = CR1620 3V Lithium

Data strings:-

Protocol C1 – Continuous output (Enable line to common gives output)

Meter sends: 8 characters<CR><LF>

e.g.

20 20 20 20 20 2D 31 37 0D 0A (-17) decimal position = 0
20 20 20 20 2D 31 2E 36 0D 0A (-1.6) negative value
20 20 20 20 20 31 2E 38 0D 0A (+1.8) positive value
20 20 20 20 20 20 4F 52 0D 0A (OR) over range
20 20 20 20 20 20 55 52 0D 0A (UR) under range

Protocol H1 - GPS clock data format for use with ASR-GPS

Protocol P1 – Polled ASCII

Controller sends: <STX> ADDRH:ADDRL r <ETX> e.g. 02 46 37 72 03 (to device F7)

Meter replies <STX> 8 characters <ETX>

e.g.

02 20 20 20 20 20 2D 31 37 03 (-17) decimal position = 0
02 20 20 20 20 2D 31 2E 36 03 (-1.6) negative value
02 20 20 20 20 20 31 2E 38 03 (+1.8) positive value
02 20 20 20 20 20 20 4F 52 03 (OR) over range
02 20 20 20 20 20 20 55 52 03 (UR) under range

Protocol P2 – Polled ASCII Modbus - See next page

When you have finished setting the meter, put the lockout switch in its ON position now, to prevent your settings from being changed.

Modbus ASCII

Select protocol **P2**, using the previous page.

The displayed value is available as a 32 bit 2's compliment signed integer in registers **0x0000** and **0x0001**

Register **0x0000** Display value low word
Register **0x0001** Display value high word

The decimal point position is available in the low byte of register **0x001E**.
The high byte is not currently used, but should be masked off to guarantee compatibility with future firmware releases.

Some examples:-

If meter shows 9	Display value reads 9	Decimal position reads 0
If meter shows 9.9	Display value reads 99	Decimal position reads 1
If meter shows 9.99	Display value reads 999	Decimal position reads 2
If meter shows 9.999	Display value reads 9999	Decimal position reads 3

Modbus RTU

Testing:

Set up RealTerm for 19200 Hex 8E1 in HEX mode
Tick the \n After box so you get a new line after each exchange.

Request: In SEND box, type **\x01\x03\x00\x00\x00\x03\x05\xCB**

\x01 is the address
\x03 is the mode (read holding registers)
\x00 is the 1st register address, byte1 to read, in this case register 00
\x00 is the 1st register address, byte 2 to read, in this case register 00
\x00 is the number of registers to read, byte1 , in this case 03
\x03 is the number of registers to read, byte 2 , in this case 03
\x05\xCB is the CRC Checksum of this request.

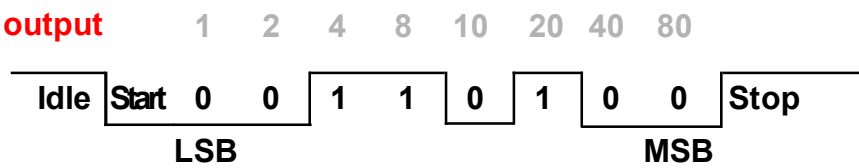
You can use <http://rapidscada.net/modbus/ModbusParser.aspx> to look at the response.

Response: A reading of 123 gives 01 03 06 00 7B 00 00 00 7B 85 5C
01 Slave address 0x01 (1)
03 Function code 0x03 (3) - Read Holding Registers
06 Byte count 0x06 (6)
00 7B 00 00 00 7B Register value 0x007B (123), 0x0000 (0), 0x007B (123)
85 5C CRC 0x855C (34140)

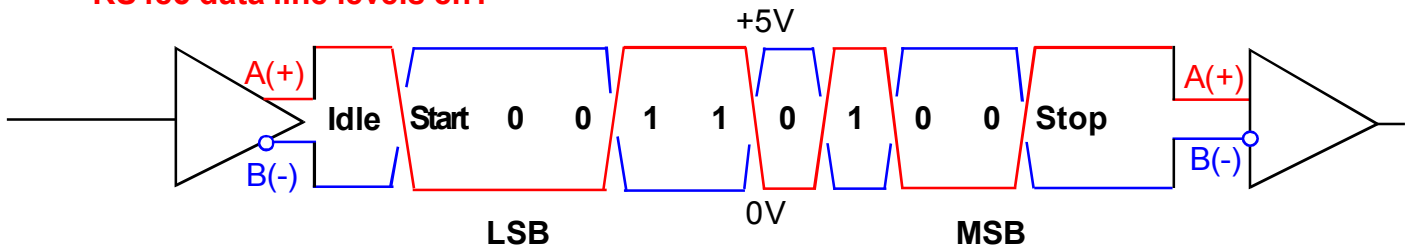
Signal levels

These examples show the transmission of a single ASCII character 2C (0010 1100) which is a Comma, so that you can see the voltages in RS485 and RS232 systems.

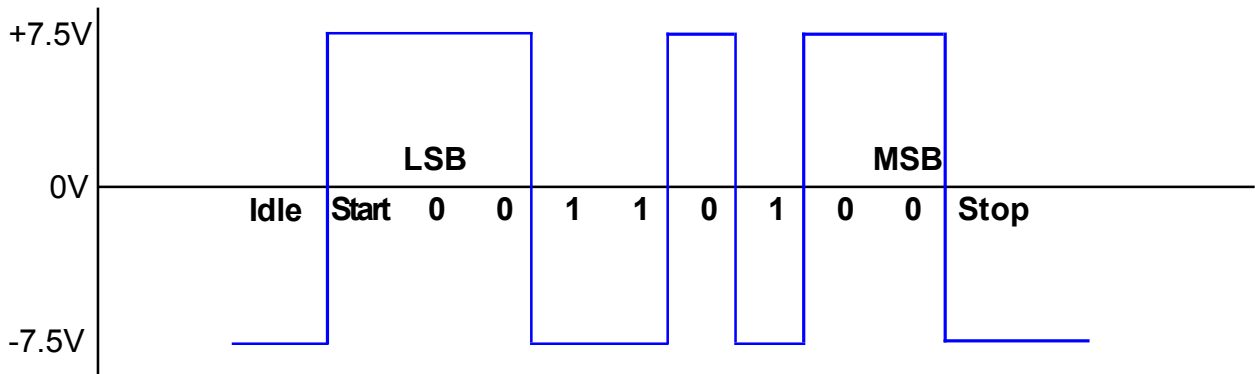
Typical UART output



RS485 data line levels 8n1



RS232 data line levels 8n1



Fault finding

If you are having trouble getting serial data out of the display, first check that you have chosen the correct mode.

If you are using Continuous Mode C1

Ensure that you have put a link between terminals 18 and 19 to enable the data output.

You can test for data with a simple data monitor which you can make with 2 diodes and a resistor, as shown below.

Provided the baud rate is 9600 or higher, the Green LED should be on for most of the time, and you should see the red LED flicker as data is sent.

Check to see if data is arriving at the remote location. If the red LED is lit most of the time, with the green flickering, your wiring may be transposed.

If neither LED is lit, check the meter to make sure it is configured to transmit continuously, and check your connections to make sure the cabling and connector terminals used are correct.

If you are using Polled Mode P1

Check to see whether there is any data activity, using the simple data monitor shown below. If not, check the settings in the polling device.

If the polling device is working correctly, check the settings on the display.

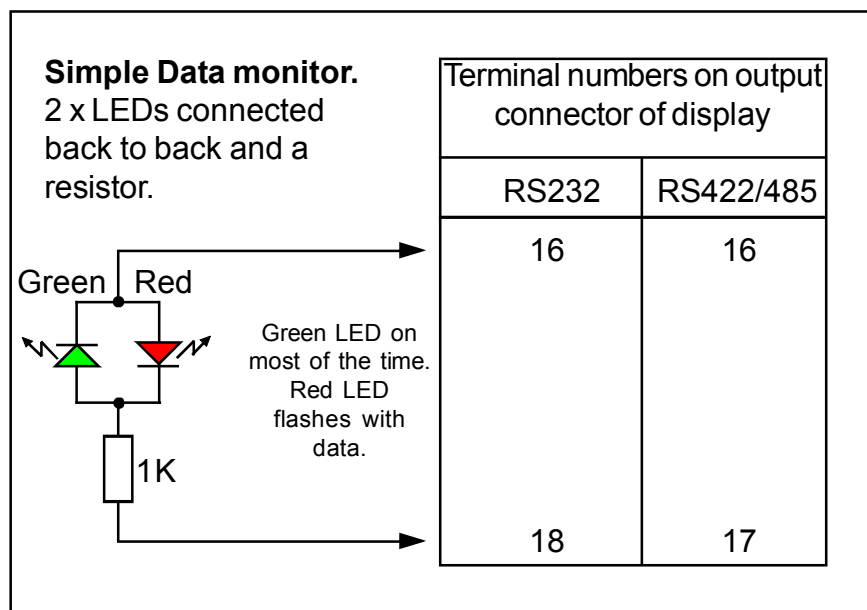
You can check to see whether a serial output board has been installed in the display - press the outer 2 buttons for around 3 seconds and the display will give a summary of installed software and options.

General

You can use your PC to generate and monitor serial data, with a free program called RealTerm which you can download from :-

<http://sourceforge.net/projects/realterm/>

This can be very useful in diagnosing communication problems. See end of manual for settings examples.

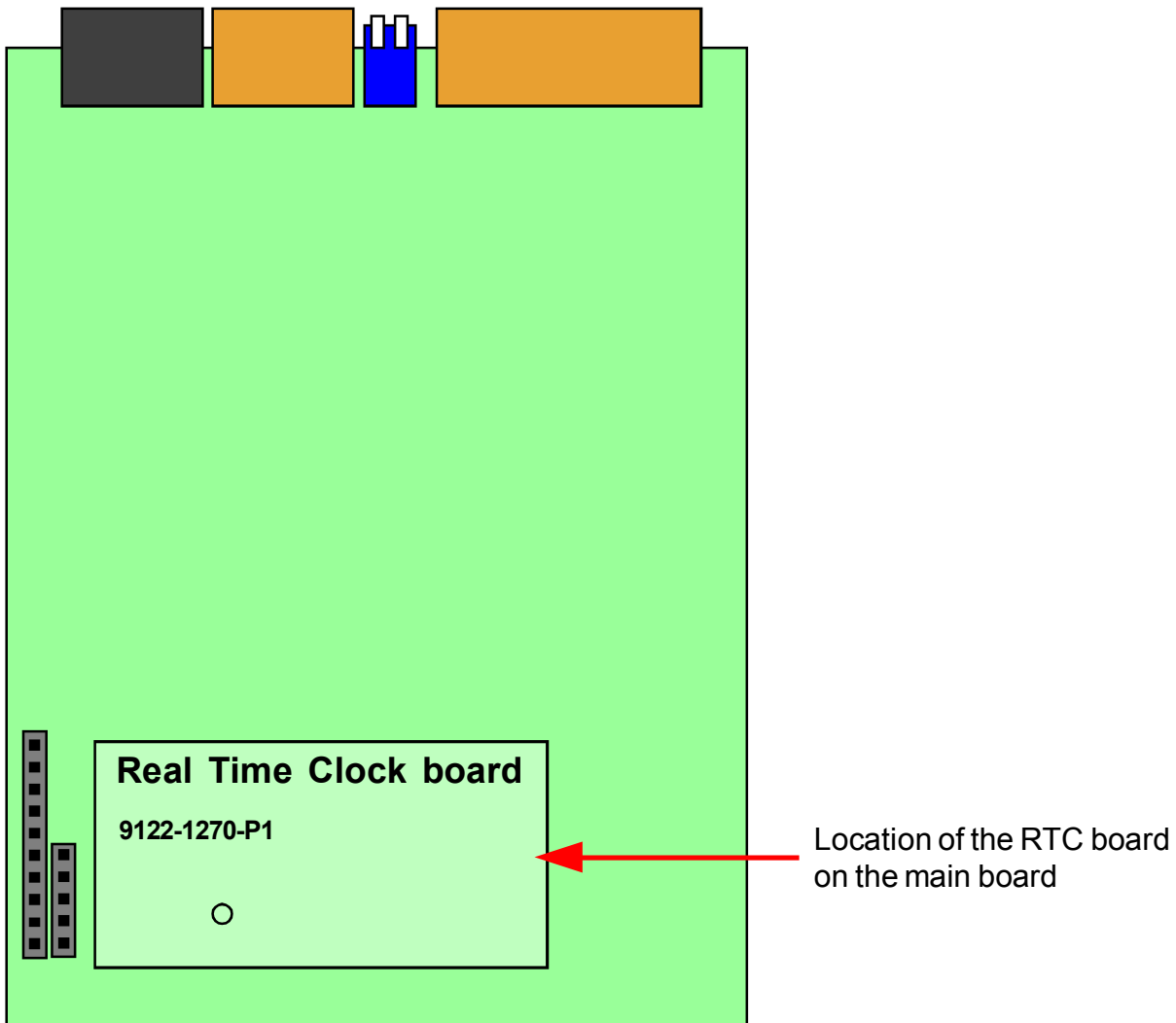


-RTC Real Time Clock option

The -RTC option board consists of a precision calendar/clock chip which is battery-backed to maintain timing during periods of power loss.

It can be set to automatically correct for summer and winter time clock shifts.

It may be used to include date and time in serial data, along with descriptive text, if required. Normally supplied in conjunction with a custom function.



In some systems, the board can also be corrected automatically by our ASR-GPS atomic time receiver.

Because there are so many ways in which the-RTC board can be used, we provide only basic setup details here, with additional information, specific to your application, supplied with the unit.

RTC setup method

1

Set1 Digit Set2 Max/Min Output Reset Alarms OK

Press together for 3 seconds


Lockout Switch must be OFF

Circuit board ON

2

Set1 Digit Set2 Max/Min Output Reset Alarms OK


Display shows each of the parameters and you can edit or move on to the next one with the OK button. You can edit the settings with the DIGIT, UP and DOWN buttons. OK to accept. Let us assume it is March 24 2011 and the time will shortly be 14:59 you want to set

Yr. 11	Set the last 2 digits of the year
Mo. 03	Set the month. 1=Jan, 12 = Dec
dt. 24	Set the date 1=1st , 31=31st
14:59	Set the hour
14:59	Set the minutes
14:59 	The time will brighten and the 4 leds to the right of the display will flash. At exactly 14:59, press the OK button. No menu timeout.

3

Set1 Digit Set2 Max/Min Output Reset Alarms OK

Press to accept

 Done!

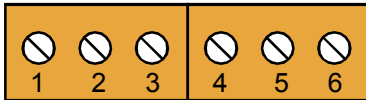
Application Note

Connecting master and slave displays over RS232 or RS485

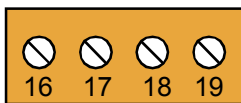
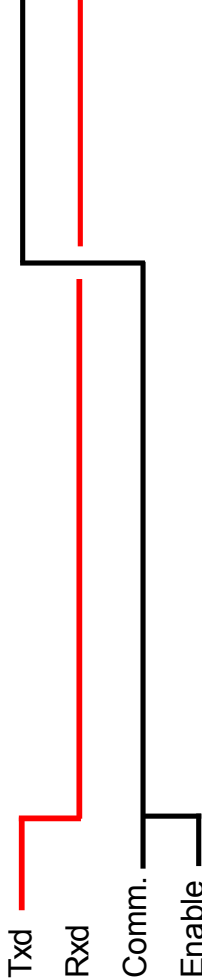
RS232 should be used over short distances only, preferably under 10 metres of cable length

RS485 can be used over cable lengths from 0 to over 1000 metres of cable length.

RS232 Slave



Demand
Comm
Rxd
Txd
nil
nil



Txd
Rxd
Comm.
Enable

RS232 Master

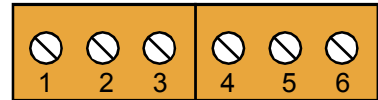
Input settings on slave

Mode = Quant
Addr.00
S.Chr.00
E.Chr.0d
bAud 1200
dF8n1
t.reP.05
t.Chr.00
to.03
S.POS.00
d.LEn.00
dddddd.
dP.A

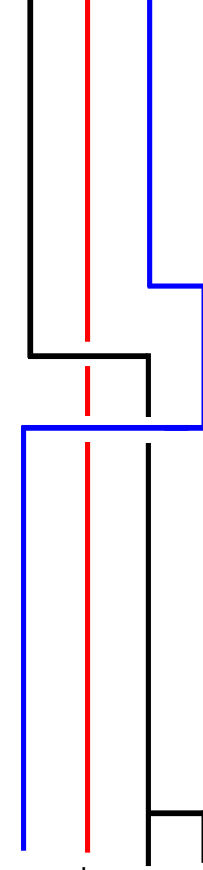
Output settings on master

Baud 1200
dF.8n1
Prot.C1
Addr.00
t.rep.05
t.chr.00

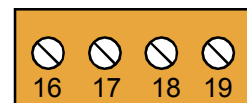
RS485 Slave(s)



Demand
Comm
Data A+
Data B-
nil
nil



Data B-
Data A+
Comm.
Enable

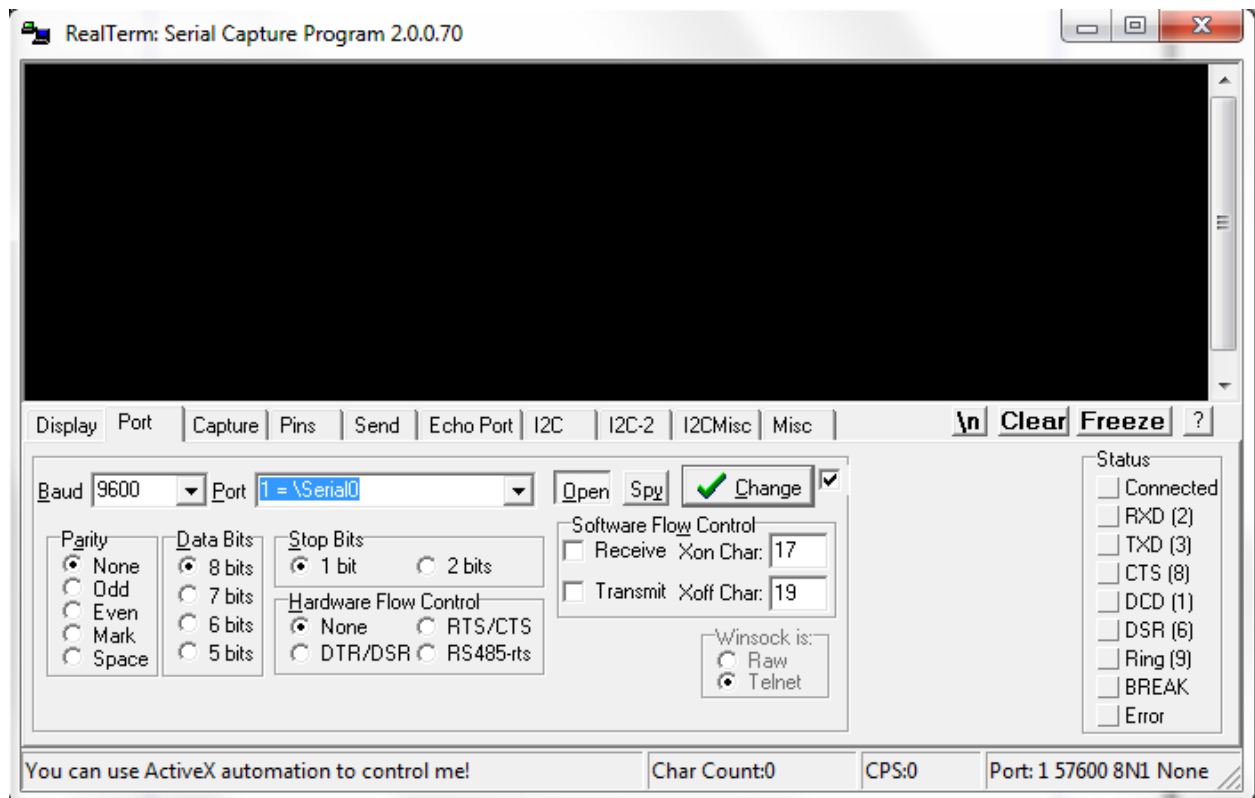


RS485 Master

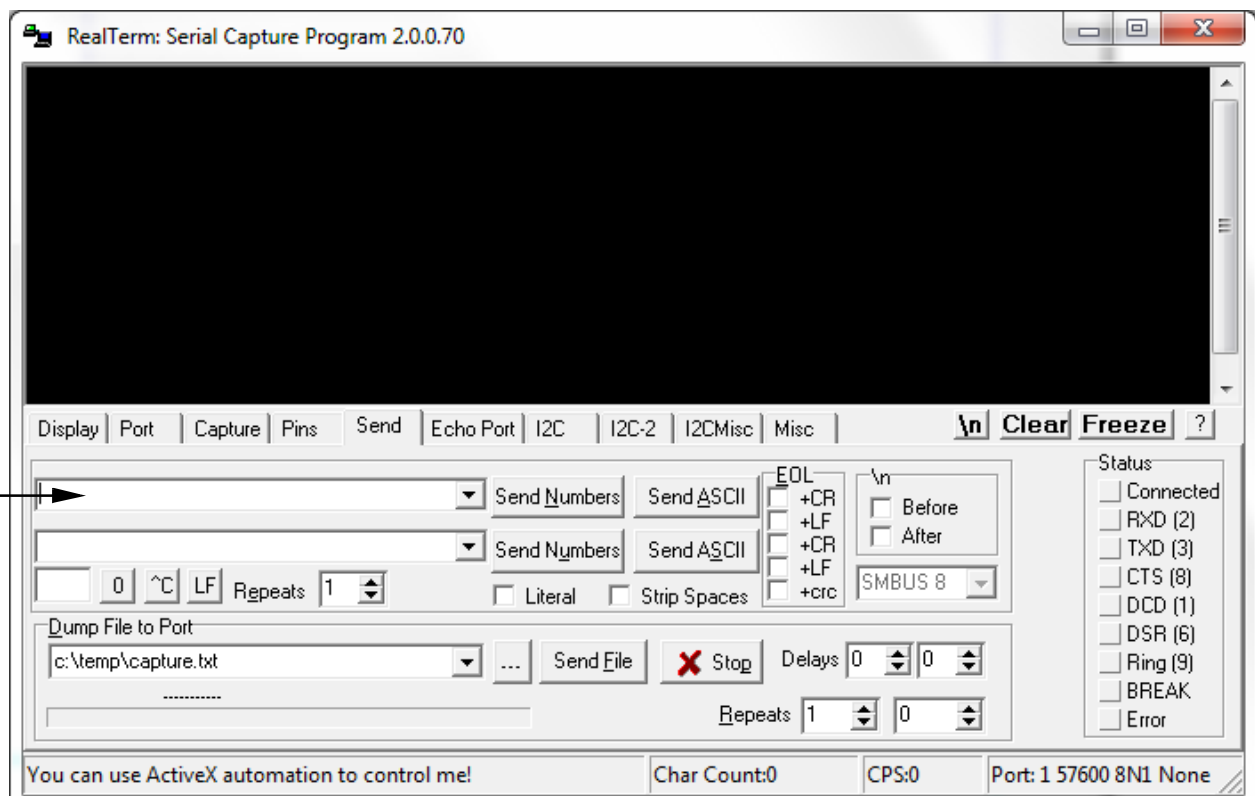
Refer to installation hints in the master and slave manuals, for guidance on cable types and screening.

RealTerm 'getting started' guide

1. Select Baud Rate & Port to suit, other settings as shown. Click 'Open' then click 'Change'

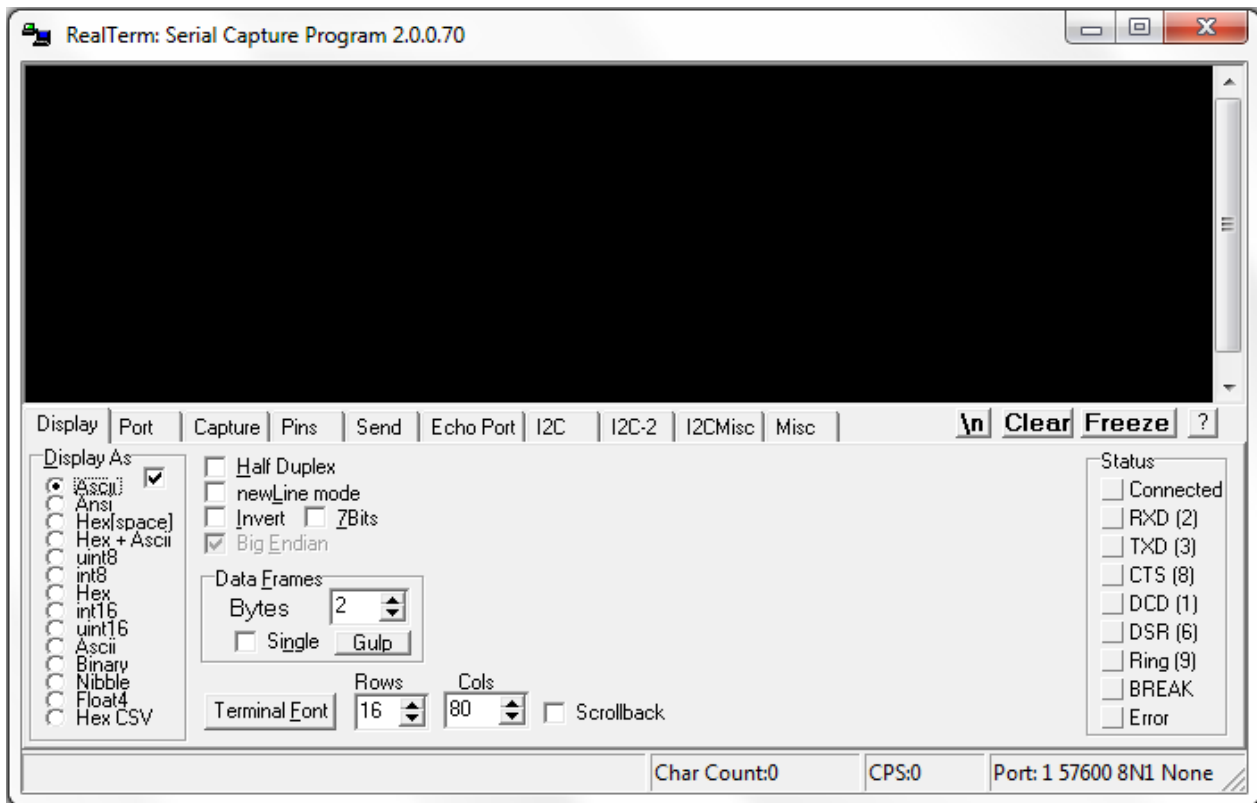


2. Type any data you want to send in the top text box, next to the 'Send Numbers' button. To send hex characters, prefix them with \x . So to send <STX> which is hex 02, you would type \x02. For example, to get data from unit address 07, we need to send <STX>07r<ETX> which is \x0207\x72\x03 (\x72 is HEX72 which is lower case r) Then click top 'Send ASCII' button



3. To view incoming data, click on the 'Display' tab, and select either ...

- a. ASCII - if you want to see the textual value of the data
- b. Hex - if you want to view the full Hex contents of the transmission (Ideal if you want to send us your data for diagnostics). Hex gives us the fullest detail of all data in your transmission, and includes non-printing characters and control codes.



Record of Revisions

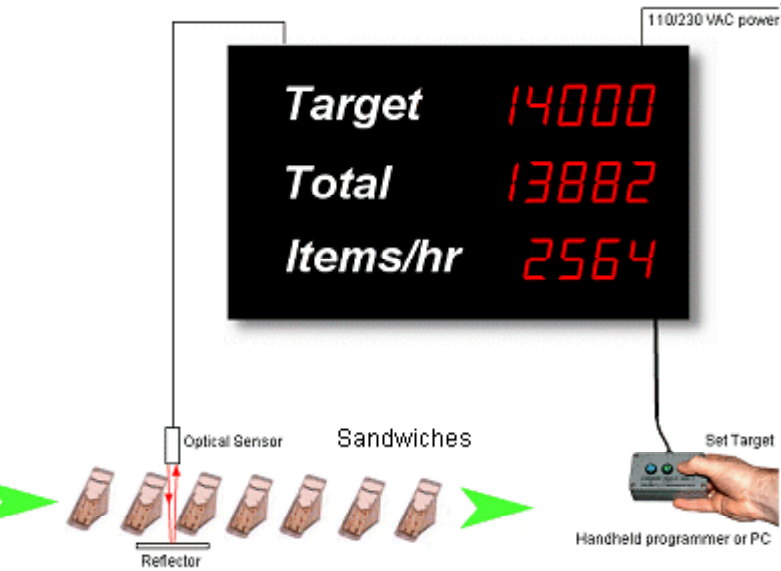
20 August 2010 Revision 0 version of manual released.
2 November 2010 Rev. 1 Added <LF> to C1 mode data output stream
26 November 2010 Rev. 2 Software updated to F00.20
2 February 2011 Rev. 3 Software updated to F00.21
28 February 2011 Warranty increased to 3 years and terms added
30 July 2013 Added RealTerm examples and Modbus RTU section
5 November 2013 Added Tiger module connection page
17 November 2020 Added Modbus RTU Test info.

We design and manufacture a wide range of standard and custom monitoring and control equipment.

All our UK manufactured products have a 3 year warranty.

Real-Time Production-Line Displays

Large Digital Displays sealed IP65



Digital Panel Meters

Power Monitors

Bargraph Displays



Message Displays sealed IP65

Signal Transmitters / Isolators

