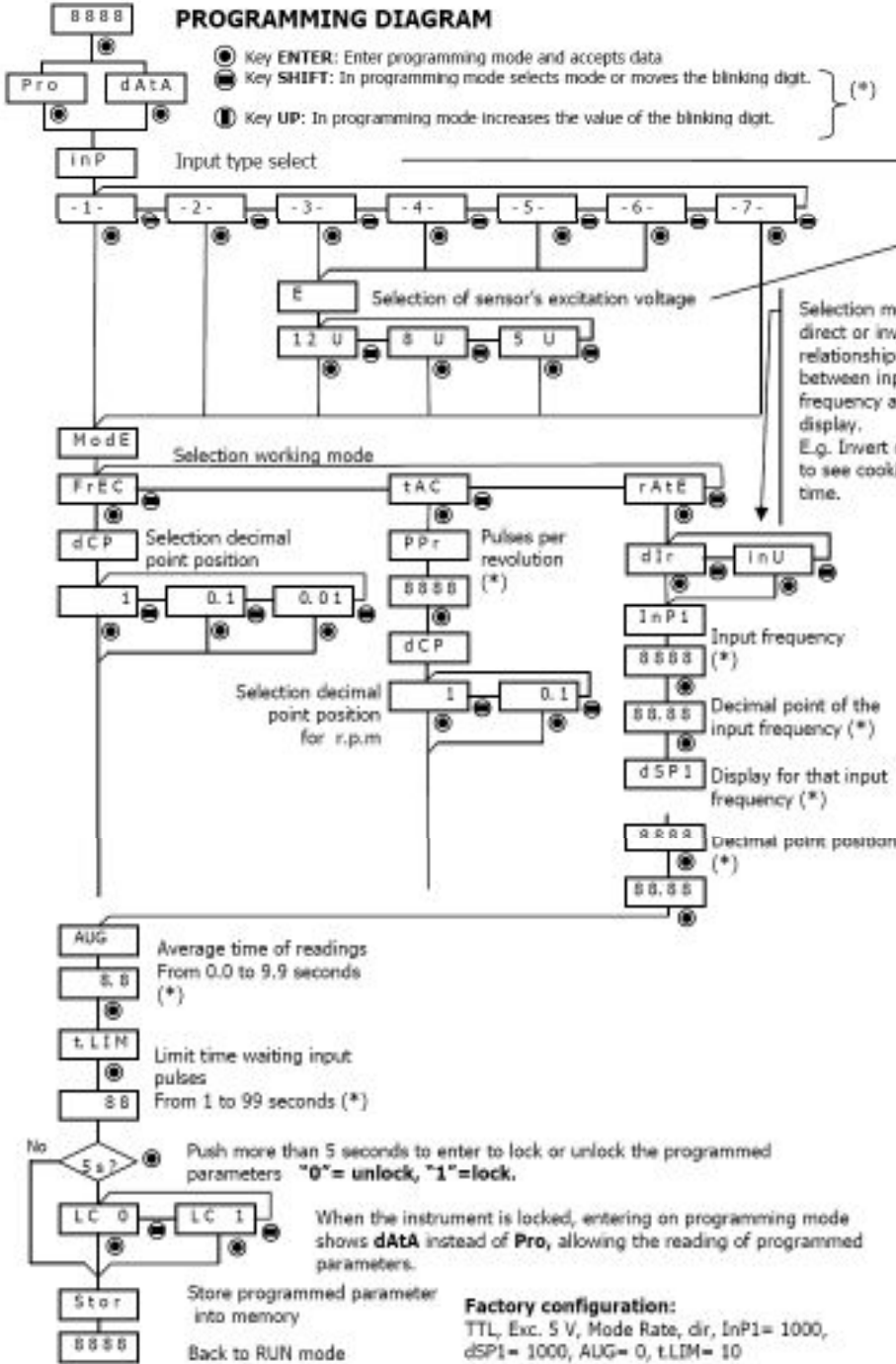
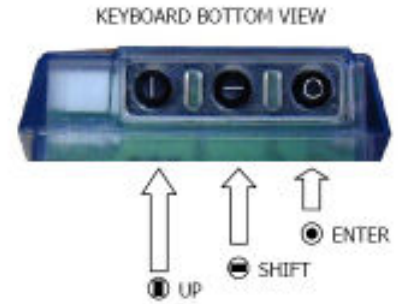




Size 48 x 24 mm frontal

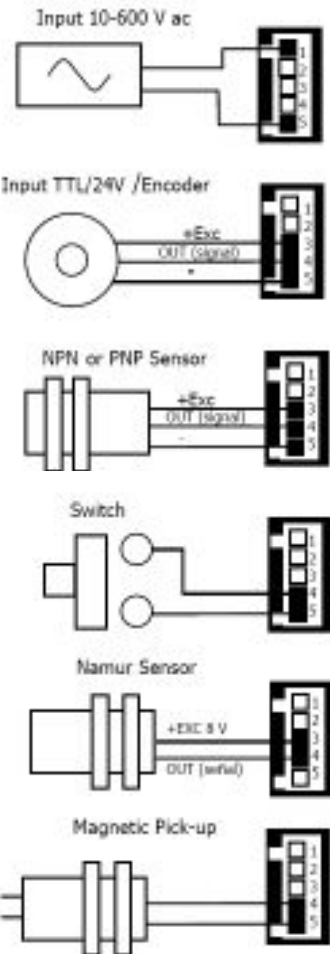
Panel instrument for measuring frequencies, velocities in r.p.m. or lineal, totally programmable by keyboard.  
 Display range from 0 ÷ 9999, decimal point position programmable.  
 Keyboard composed of three keys located on the bottom of display.  
 Accepts the connection of most Standard sensor: Pick-up Magnetic, Namur, PNP, NPN, switch, as well as the possibility of measuring frequencies from signals in the range of 10 to 600 V ac. E.g. the frequency of main voltage supply.  
 Frequency ranges: 99,99 Hz, 999,9 Hz and 9999 Hz  
 Tachometer in mode TAC programming only the pulses per revolution or in mode Rate programming the relationship between Frequency / display (In desired engineering units)



INPUT TYPE	
1	10-600 V
2	Magnetic Pick-up
3	NAMUR
4	PNP
5	NPN
6	TTL/24 V dc / Encoder
7	Switch

5 V	TTL
8 V	Namur
12 V	Sensor or encoders

### INPUT CONNECTIONS



**Factory configuration:**  
 TTL, Exc. 5 V, Mode Rate, dir, InP1= 1000,  
 dSP1= 1000, AUG= 0, t.LIM= 10

**TECHNICAL CHARACTERISTICS**

**INPUT**

Max. Frequency..... 7 kHz  
 Min. Frequency ..... 0.01 Hz  
 Excitation..... 5, 8, 12 V dc @ 60 mA (keyboard programmable)

**High Voltage Input** ..... 10 to 600 V ac  
**Pick-up magnetic**..... Vin > 30 mV eff. (60 Hz)  
 ..... Vin > 300 mV eff. (6kHz)

**NAMUR Sensor**

- Rc..... 1.5 kΩ
- I on ..... < 1 mA
- I off ..... > 3 mA

**NPN y PNP Sensors**

- Rc..... (NPN) 3k9 Ω, (PNP) 1k5 Ω
- Logical levels..... "0" < 2.4 V, "1" > 2.6 V dc

**TTL/24 V dc (encoder)**

- Logical Levels..... "0" < 2.4 V, "1" > 2.6 V dc

**Switch**

- Vc..... 5 V (internal)
- Rc..... 3,9 kΩ (included)
- Fc..... 20 Hz (automatically connected when selected switch input)

**ACCURACY**

Max. Error ..... ±(0.01 % of reading + 1 digit)  
 Temperature coefficient..... 50 ppm/ °C  
 Warm up ..... 5 minutes

**SUPPLY and FUSES (DIN 41661) (not included)**

**PICA- F** 85 – 265 V ac 50/60 Hz y 100-300 Vdc..... F 0.1A/ 250V  
**PICA-F6** 21-53 VAC 50/60Hz y 10,5-70VDC..... F 0.5A/ 250V  
 Consumption ..... 2,2W

**DISPLAY**

Range ..... 0 to 9999  
 Type ..... 4 red digits, 10 mm  
 Rate..... 10/s  
 Overflow indication ..... *0.0E*

**ENVIRONMENTAL**

Operating temperature..... -10°C ÷ +60°C  
 Storage temperature ..... -25°C ÷ +85°C  
 Relative humidity (non condensed) ..... <95% ÷ 40°C  
 Maximum altitude ..... 2000 m.  
 Panel sealing ..... IP65

**DIMENSIONS**

Dimensions..... 48 x 24 x 70 mm.  
 Panel cutout ..... 45 x 22 mm.  
 Weight ..... 50 g.  
 Case material..... Poly carbonate s/ UL 94 V-0



**INSTALLATION AND CONNECTIONS**



Keyboard detail (bottom view)



1. Input 10-600 V ac
2. Free
3. + Exc.
4. Signal Input
5. - Common

