

London Electronics Limited

Thorncote Road, Near Sandy, SG19 1PU, Bedfordshire

Tel 01767 626444 Fax 01767 626446

www.london-electronics.com

Operating Instructions

Model TIM-HVC

High-Voltage Clamp Protector

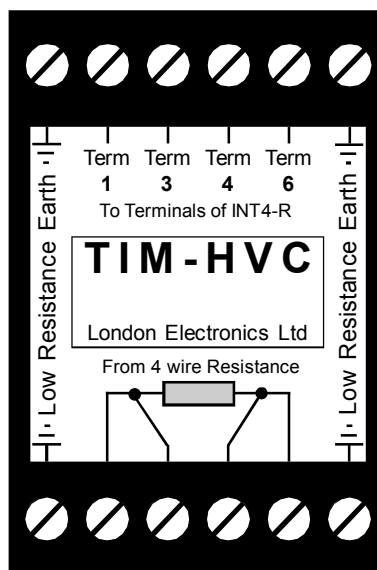


TABLE OF CONTENTS

- 1) Introduction
- 2) Warnings
- 3) Specifications
- 4) Panel Requirements + Connections
- 5) Warranty
- 6) Declaration of Conformity

IMPORTANT INTRODUCTORY NOTES

Thank you for choosing to use a London Electronics Ltd. product. We hope that you will be entirely satisfied with your purchase, and welcome any comments you may have which will help us to improve the ease of use, clarity of this manual, etc. for future shipments.

We invite you to write to us:-

**London Electronics Ltd.
Thorncote Road
Near Sandy
Bedfordshire SG19 1PU**

Alternatively you may send us a fax on **01767 626446** (international code +44)
Or, telephone us on **01767 626444** (international code +44)

Or, send us an E-Mail to **sales@london-electronics.com**

To enable us to provide a swift and accurate service, please be sure to provide the following information :-

- 1) Full Model Number , including all options fitted.
- 2) Serial Number
- 3) DETAILED description of your difficulties, suggestions etc.
- 4) Input Range and Display range

This product is covered by a 3 year warranty, during which period we will put right or replace any meter found to be faulty through bad workmanship or materials. This warranty does not cover damage caused by misuse or accident.

IMPORTANT If the meter is a vital component in your process, you may wish to consider the purchase of a spare to cover the possible eventuality of a failure or accident, as we cannot guarantee instant repair or replacement.

We are constantly striving to improve our products and services, and as a result, changes to instruments do occur. Please ensure that this manual is kept safely for future reference, as future manuals, covering revised designs may no longer describe your product accurately.

We believe these instructions to be accurate, and the product to be competently designed and manufactured. We do not make any claims as to the suitability of this product for any particular application. The choice of product and responsibility for the choice lies with the User.

VERY IMPORTANT WARNINGS



You should carefully read all warnings and commence installation ONLY when you are satisfied that all warnings are adequately covered.



} Connections to this equipment shall be carried out in accordance with current IEE regulations, and all wiring shall be separated in accordance with IEC1010

Notes:

} Power supplies to this equipment must be anti-surge fused at 630mA for DC supplies in the range 22-30VDC

Notes:

} Before installation, check that model number and supply voltage suit your application

Notes:

} Lethal voltages may be present on the circuit board. Do not touch any circuitry when power is applied.

Notes:

} This product is designed for Installation class II service

Notes:

} This product is designed for use in Pollution-Degree 2 environments

Notes:

} Use an insulated screwdriver when adjusting potentiometers and do not touch any circuitry

Notes:

} Replace front cover when meter is unattended

Notes:

} All adjustments to jumper settings or terminations must be made with power removed

Notes:

} Ensure all screw terminals are tight before applying power.

Notes:

**Safety FirstDon't make assumptions..... Always double check.
If in doubt, ask someone who is QUALIFIED to assist you in the subject.**

EQUIPMENT SPECIFICATIONS

Input Signal	Any sensor with up to 4 x lines, such as load cell or resistance
Minimum input	0V
Maximum input.....	Electrostatic discharge with up to 250mA discharge current for 1 minute Permanent connection can tolerate average discharge of 100mA Clamp = +/- 12.7V above ground.
Input resistance.....	Low resistance pass through, less than 1 Ohm
Outputs	Any sensor with up to 4 x lines, such as load cell or resistance
Function.....	Output will be clamped to no more than + or - 12.7V of Earth potential

This device is intended for use in applications where a sensor may experience periodic high levels of static electricity or back-emf, which could be damaging to any measuring devices connected to it.

The transient spike of voltage is clamped to a maximum of 20V and the energy diverted to ground, to avoid damage to the destination device.

Power Supply

DC Supply.....	None, this is a passive product
Current Consumption.....	None

Mechanical

Base size.....	50 mm wide by 70 mm high
Forward projection.....	110 mm
Weight.....	270 grammes

Environmental

Operating Temperature.....	0 to +50 degrees C
Storage Temperature.....	-40 to +85 degrees C
Humidity.....	90% rh max. at 40 C, non condensing.

PANEL REQUIREMENTS



All wiring to this device must be carried out in accordance with current IEC regulations
Separation of all power carrying cables must be ensured in accordance with IEC 1010

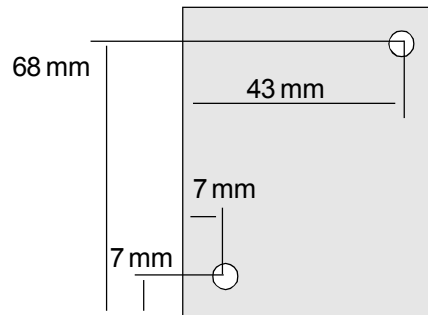
Installation Class II
Pollution degree 2



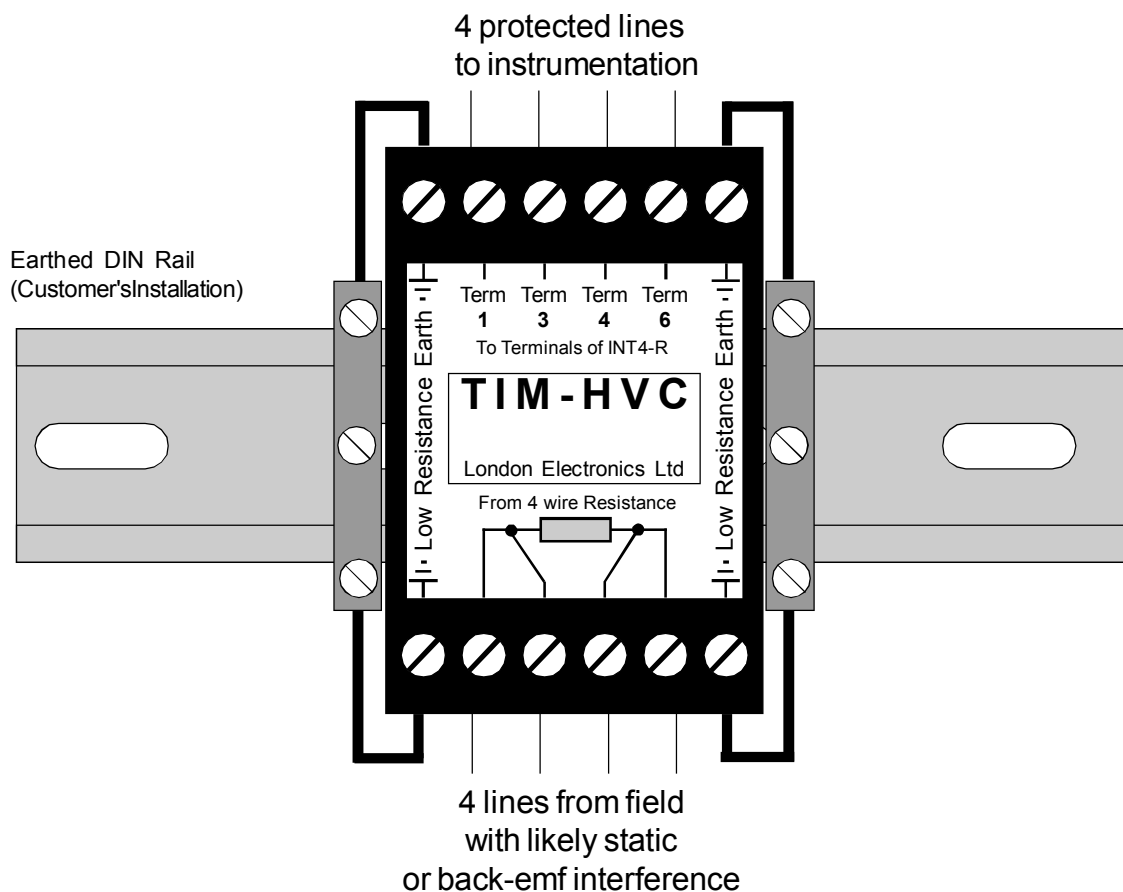
This device is to be installed within a secure enclosure, to prevent accidental access by persons to the powered connections present on the terminals.

For Base mounting, drill 2 holes of 4mm dia. in the base plate as shown.

Or, you may fit the transmitters directly onto DIN46277-3 or CENELEC EN 50 022



Connections



WARRANTY

We warrant our products against defects in materials or workmanship for a period of three (3) years from the date of purchase.

In the event of a defect during the warranty period, the unit should be returned, freight (and all duties and taxes) prepaid by the Buyer to the authorised distributor from where the unit was purchased.

The Distributor, at its option, will repair or replace the defective unit. The unit will be returned to the Buyer with freight charges prepaid by the distributor.

LIMITATION OF WARRANTY

The foregoing warranty shall not apply to defects resulting from:

1. Improper or inadequate maintenance by the buyer.
2. Unauthorised modification or misuse.
3. Operation outside the environmental specification of the product.
4. Mishandling or abuse.

The warranty set forth above is exclusive and no other warranty, whether written or oral is expressed or implied. We specifically disclaim the implied warranties of merchantability and fitness for a particular purpose.

EXCLUSIVE REMEDIES

The remedies provided herein are the buyer's sole and exclusive remedies.

In no event shall we be liable for direct, indirect, incidental or consequential damages (including loss of profits) whether based on contract, tort or any other legal theory.

Declaration of Conformity

Declaration Reference : TIM-HVC
Issue Date : 30 October 2017
Products Covered : TIM-HVC
Title : DOC-TIM-HVC

This is to confirm that the Product covered by this declaration have been designed and manufactured to meet the limits of the following EMC Standard :

EN61326-1:1997

and has been designed to meet the applicable sections of the following safety standards

EN61010-1:2001

Conditions

The transmitters covered by this certificate must be installed in adherence to the following conditions :-

Signal cabling shall be routed separately to power carrying cabling (includes relay output wiring)

All signal cabling shall be screened. The screen shall only be terminated to the power earth terminal.

Declared as true and correct, for and on behalf of London Electronics Ltd.

J.R.Lees Director