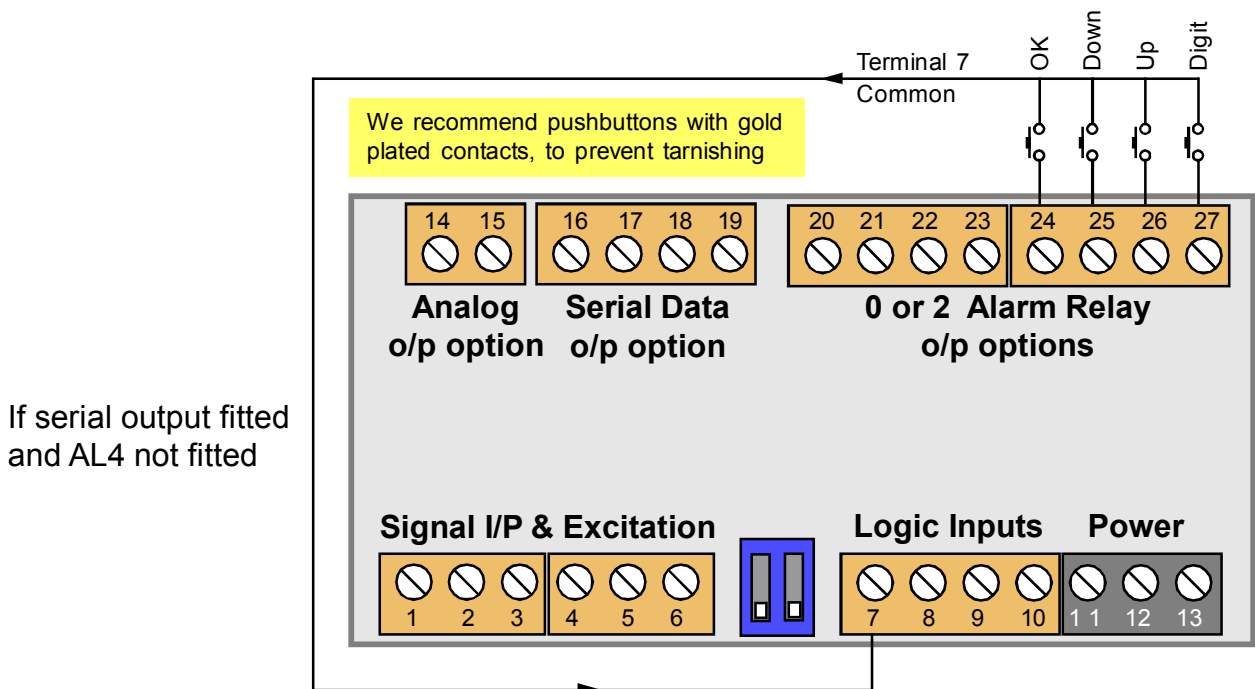
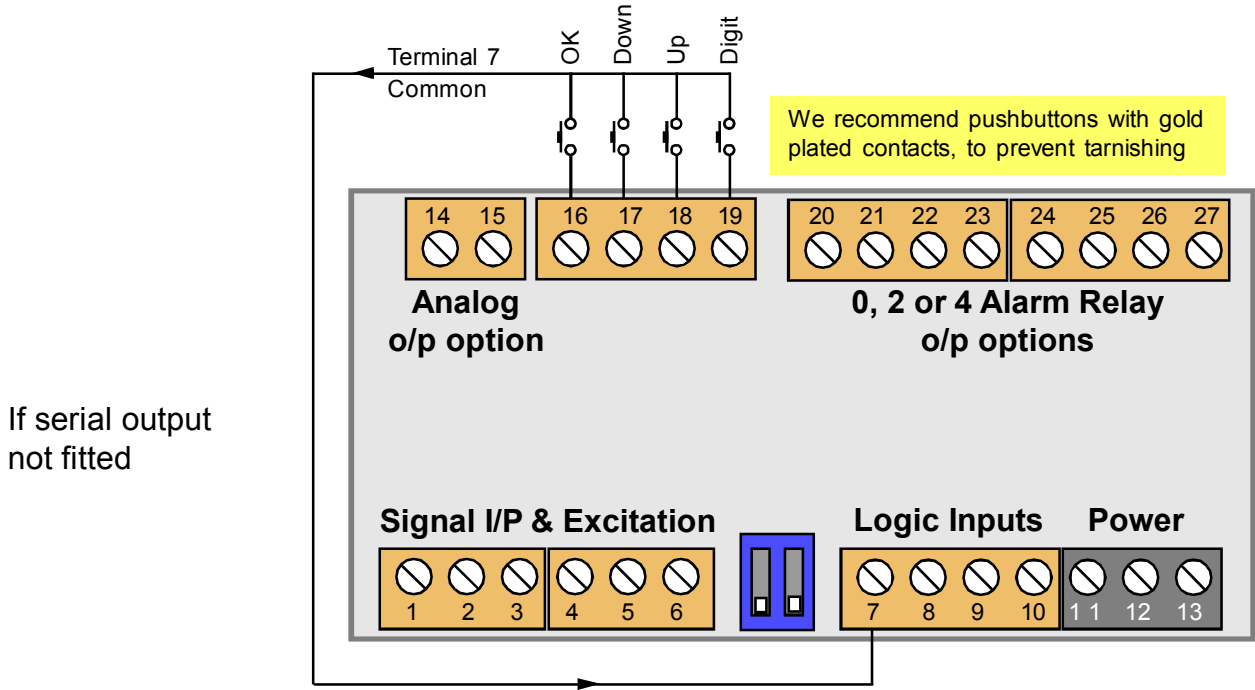


# Remote Pushbutton Options for V.4 Series of Digital Panel Meters

Sometimes it is useful to be able to control the meter's pushbuttons remotely. For example if the indicator is mounted in an explosion proof housing or if it has an IP67 front cover fitted, you need an easy way to safely adjust your meter.

**We do not supply the buttons, only the means for you to connect your buttons.**



If serial output fitted and AL4 fitted, we fit a 50cm umbilical.

We recommend pushbuttons with gold plated contacts, to prevent tarnishing

