

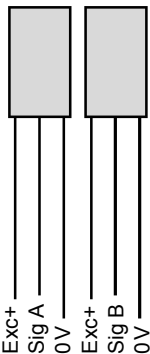
Model AMSL-0001

Dual PNP pulse latch module 24V DC.

London Electronics Ltd.

www.london-electronics.com

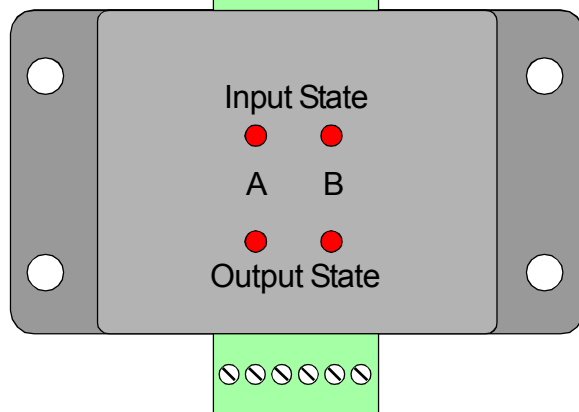
2 x PNP sensors



Purpose: This module has been designed to latch the first rising edge of each of two sensors which are used in a projectile speed monitoring application. This prevents re-triggering of the timer by the muzzle blast, which follows shortly after the projectile passes the sensors.

Set the sensors so that on detecting the projectile, they give +24V output and 0V in the absence of the projectile.

Input = 2 x PNP sensors, normally low output
 Output = 2 x PNP signals, normally low output
 Power 12-24V DC provided by the speed meter
 Latch reset = volt free contact closure

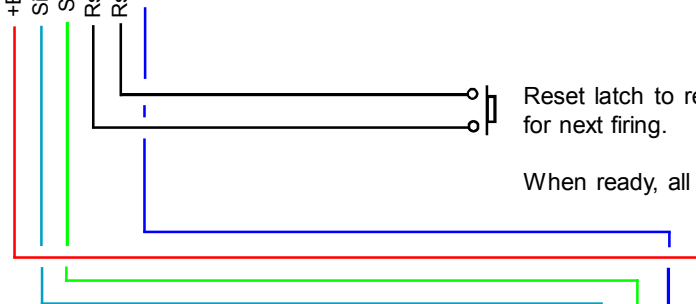


The LEDs show the status of the input and output ports and should normally be unlit. Activating a sensor should cause both LEDs for that sensor to light while the sensor is active, with only the output LED remaining lit when the sensor goes low again.

Dimensions:

- 76mm wide
- 59mm high excluding cables
- 25mm depth
- 4 x 5mm fixing holes, 66mm x 26mm spacing

+Exc
SigA
SigB
Rst
Rst
0V



Reset latch to re-arm module ready for next firing.

When ready, all 4 leds will be unlit.

Rear View of Timer Display

